

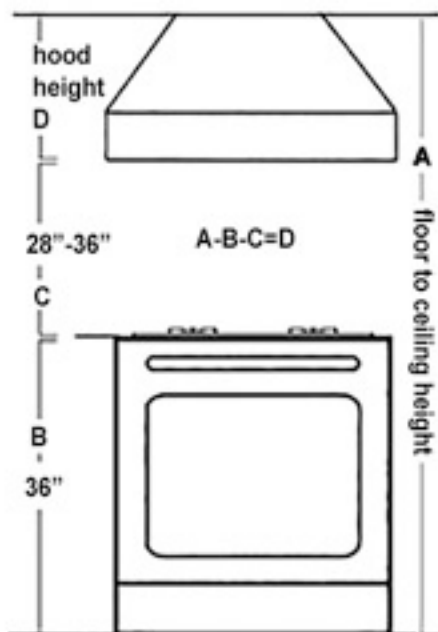
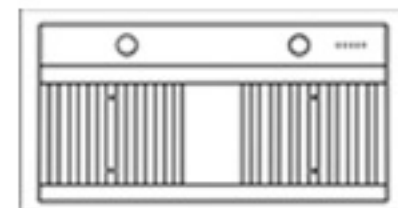
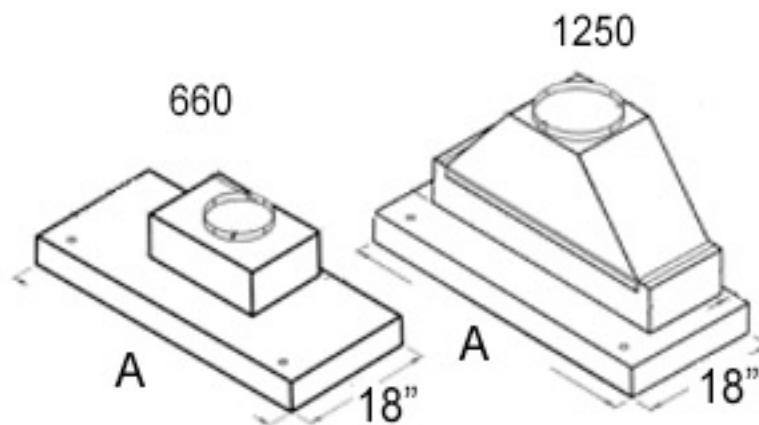


Sierra Copper

custom copper creations

Hood Liner

Hood dimensions	A	Liner	Lights	CFM
36 36"x 22"x 36"	28"x 18"	2	660	
42 42"x 22"x 36"	34"x 18"	2	660	
48 48"x 22"x 36"	40"x 18"	2	660	
52 52"x 22"x 36"	46"x 18"	3	1250	
58 58"x 22"x 36"	52"x 18"	3	1250	



Easy Cleaning: Dishwasher safe commercial baffle filters.

Quiet Operation: Variable or 3-speed motor control.

Oversized baffle filters offer improved ventilation.

Dimmable 50-watt halogen lights

Electronic touch controls w/LED lighting.

*How to calculate hood height: The bottom of the hood should be 28-36" above the cooking surface (minimum of 24"). This would typically result in the bottom of the hood starting 66"-72" above the floor.

Hood Upgrades

- Island mount
- Add or reduce height
- Straps, banding & rivets
- Add a designer front
- Add towel bar